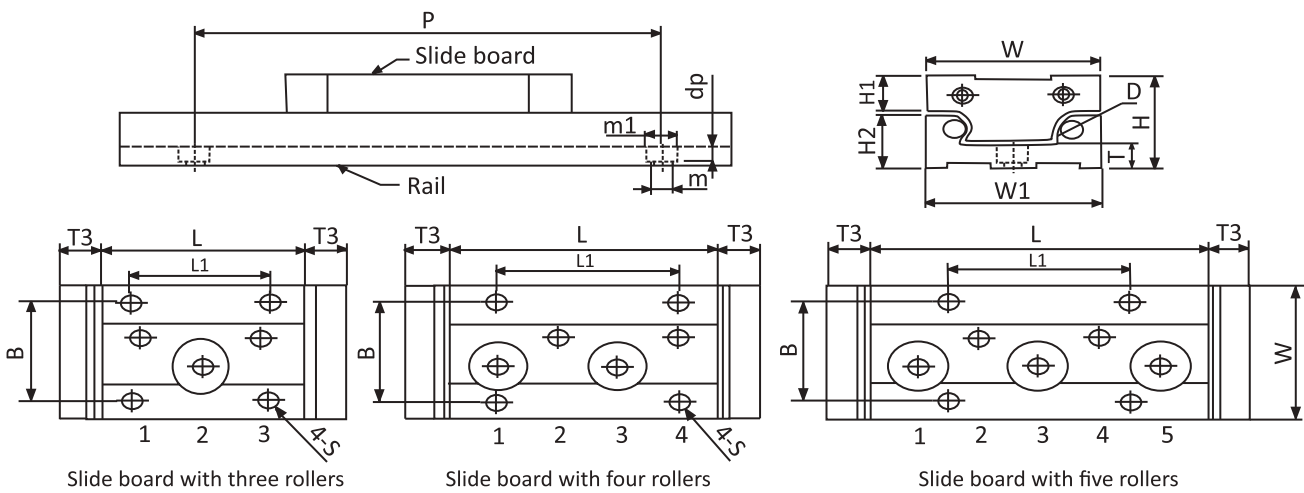


## GD-N



کد کاس	H	W	W1	H2	dp	P	D	Mr (g/m)	T	m1	m	H1	L	B	L1	S	QP	BL(N)		DT			Mb (gr/pcs)	قیمت		
																		Yo	Zo	Mxo	Myo	Mzo		دلار	تومان	
GD 20N	26	32	32	17	4	120	4	1425	8	8	4.5	9	52	25	30	M5	3	490	460	9.2	9.8	13.8	110			
													68					700	660	19.8	21.1	22.4	145			
GD 30N	31	46	46	19	4	120	6	1725	10	10	6.6	12	74	31.5	35.5	M5	3	820	700	15.4	21.5	29.4	195	150		
													90					1400	1000	42	52	61.6	265	185		
													106					1960	1400	58.8	92.4	129	325	220		